

ValkPoly+

Where
innovation meets
cost savings

VAN DER VALK



► Screen system for poly greenhouses

The right choice for the screen installer and the grower

Just imagine:

saving time and money with a complete screen system including a detailed project calculation using only **one channel**... Wouldn't that be ideal?

Screen installer:

How can I put together the best system from the wide range of screen articles on offer? How can I stay ahead of the competition with a reliable product, fast quotation and competitive price?

Grower:

How can I control the climate in my greenhouse better, so the crop flourishes better?

The answer:
ValkPoly+



Do you install screens in poly greenhouses?
Then watch this video!

1 min 12 sec



► Why use a screen system?

The effect of a climate screen

Effect
&
Aim



Save energy

Effect: Limit heat loss
Aim: Reduce energy consumption



Prevent light emission

Effect: Prevent emission of assimilation lighting
Aim: Prevent nuisance and unnecessary disruption of the natural balance in the environment



Shielding from the sun

Effect: Reduce solar radiation
Aim: Lower crop and greenhouse air temperature and less evaporation



Control humidity

Effect: Optimising the humidity
Aim: Moister climate for young plants



Darkening

Effect: Shorten length of day
Aim: Year-round production



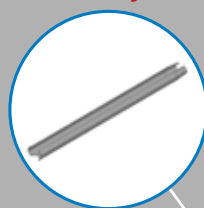
Combination

Save energy and shield from the sun

What makes ValkPoly+ unique?

High-quality hardware for a competitive price and free, user-friendly calculation software.

ValkPolyProfile



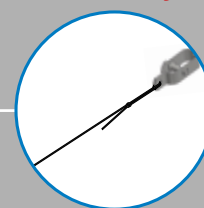
ValkHortiPlanner



ValkPolyClip



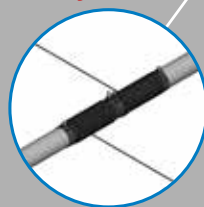
ValkPolyCord



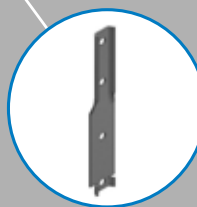
ValkPoly+



ValkPolyDrive



ValkPolyStrip



ValkPoly+
in 1.5 minutes?
Then watch this video!

1 min 34 sec

► Stronger, cheaper & more durable

The basis: screen profile and wire guide block

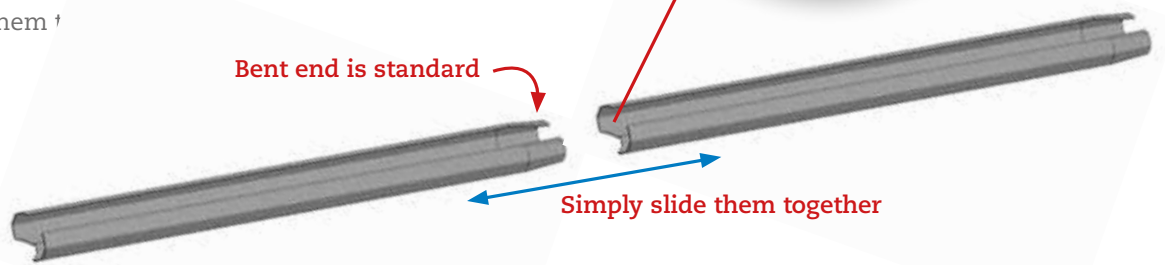
Unique form

ValkPolyProfile

Screen profile

The **unique form** makes the profile stronger than the conventional screen profile and makes connecting easy without the need for additional accessories. You simply slide them together.

That saves costs!



ValkPolyClip

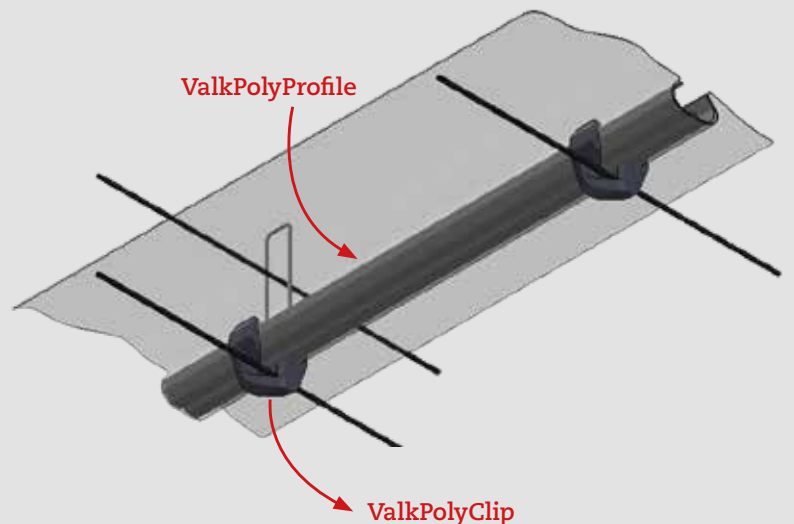
Wire guide block

The matching **wire guide block** ensures that the polyester wire and the profile do not touch. This means both will last longer.

- Stronger
- Cheaper
- More durable



Use the QR codes and watch the videos for more explanation!



Stronger, cheaper and more durable?
Watch this video!

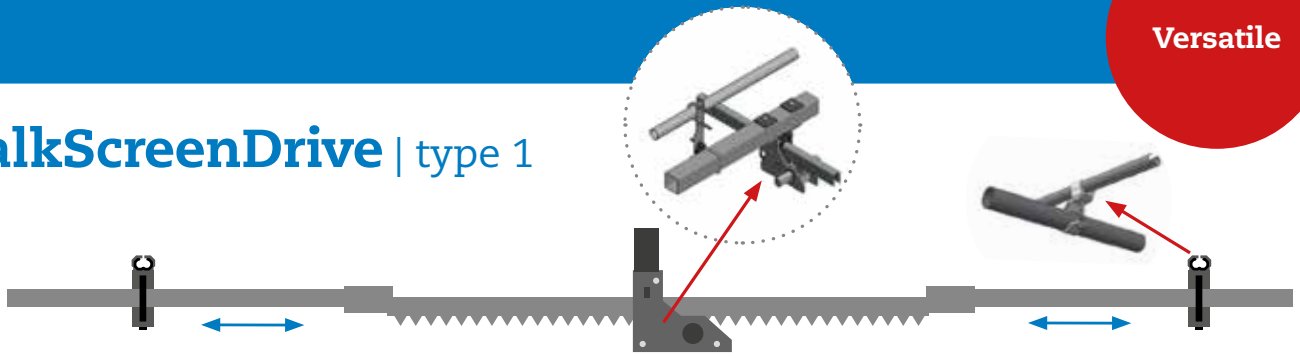


1 min 07 sec

▶ A suitable screen drive for every type of poly greenhouse

Versatile

ValkScreenDrive | type 1



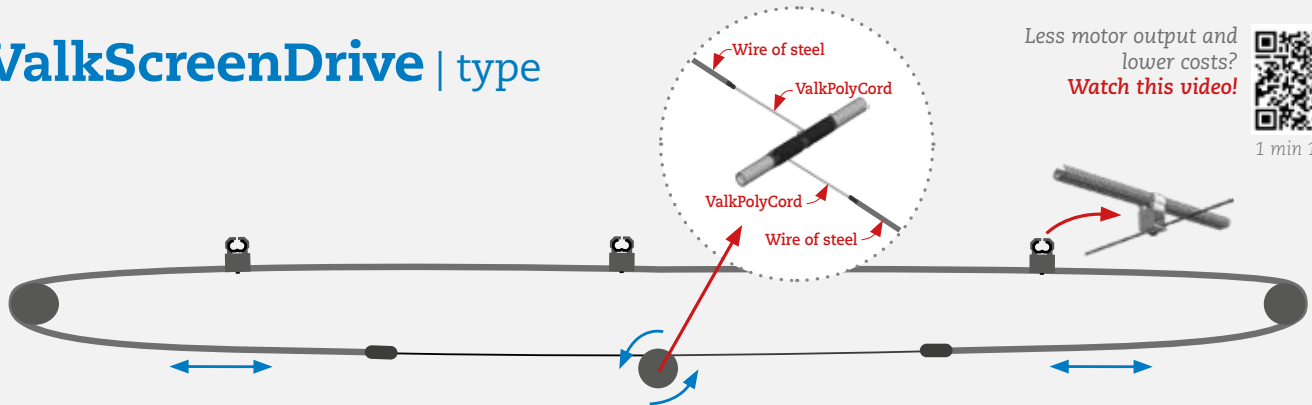
Push/pull system

- Suitable for every type of poly greenhouse
- Linear rack and pinions are required (purchased externally)

How does it work?

Functions using push/pull tube and linear gear. To open and close the screen, the push/pull tube moves back and forth on the linear gear.

ValkScreenDrive | type



Pull-wire system

- Low-cost
- Controls larger screen sections with less motor output
- Greenhouse has to be able to withstand the forces exerted by this system

How does it work?

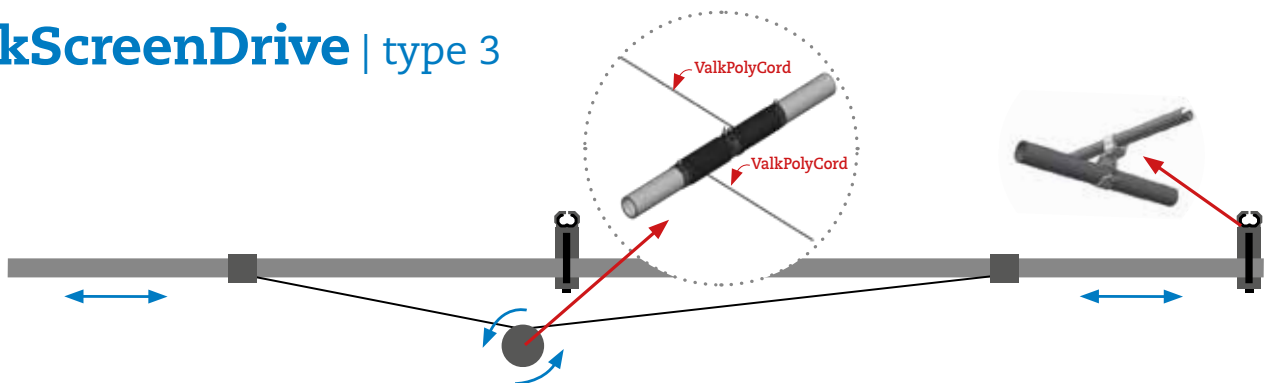
It uses a steel pull-wire and ValkPolyCord. This 'cord' can be wound around a smaller drive shaft, which can be controlled with less motor output.

Less motor output and lower costs? Watch this video!



1 min 10 sec

ValkScreenDrive | type 3



Semi-push/pull system

- Low-cost and suitable for every type of greenhouse
- Controls larger screen sections with less motor output

How does it work?

It uses a push-pull tube and ValkPolyCord. It combines the benefits of a push/pull system with those of a pull-wire system.

▶ Less research, less stock

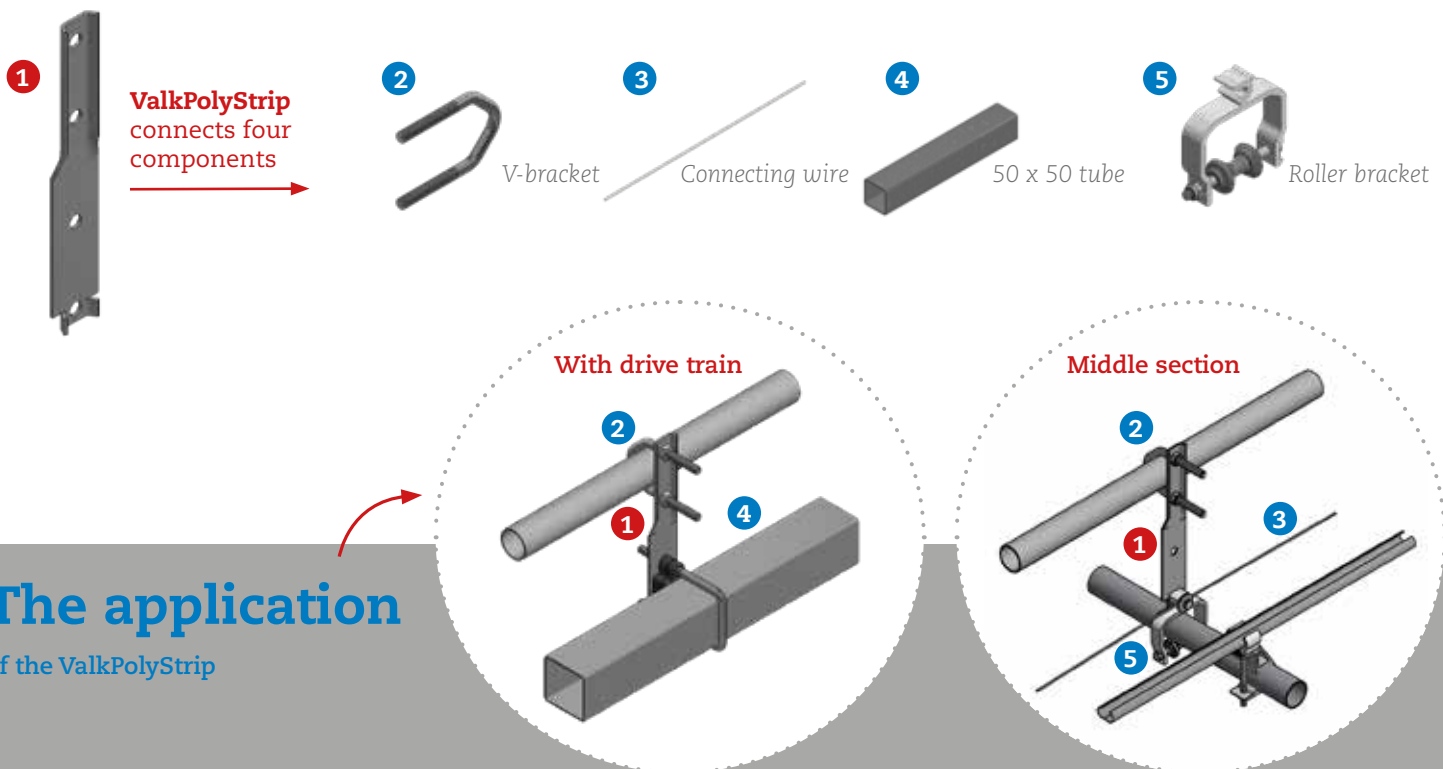
Four applications with one article, now that is versatile!

ValkPolyDrive consists of only a few **multifunctional components** that perfectly match each other.

Versatile

ValkPolyStrip

The core of the drive systems is the **ValkPolyStrip**. With its smart design, it acts as a connecting element between four different components. This means you need fewer loose articles for mounting, which greatly simplifies your stock management.

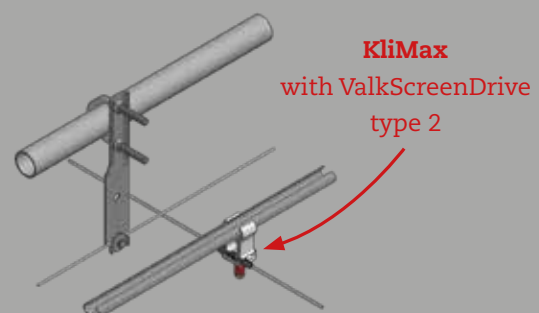
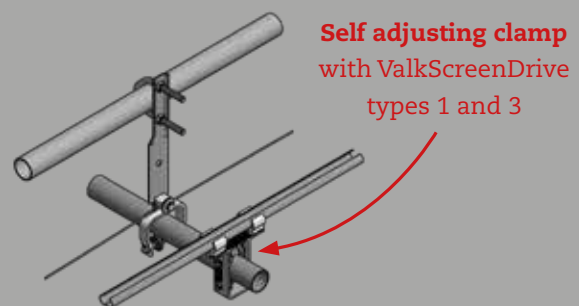


The application

of the ValkPolyStrip

Deviating section size

For section sizes that deviate from the standard sizes (for example, near a rainwater drain pipe), the drive system is equipped with a slip element (self adjusting clamp or KliMax), which allows perfect opening and closing of the screen.



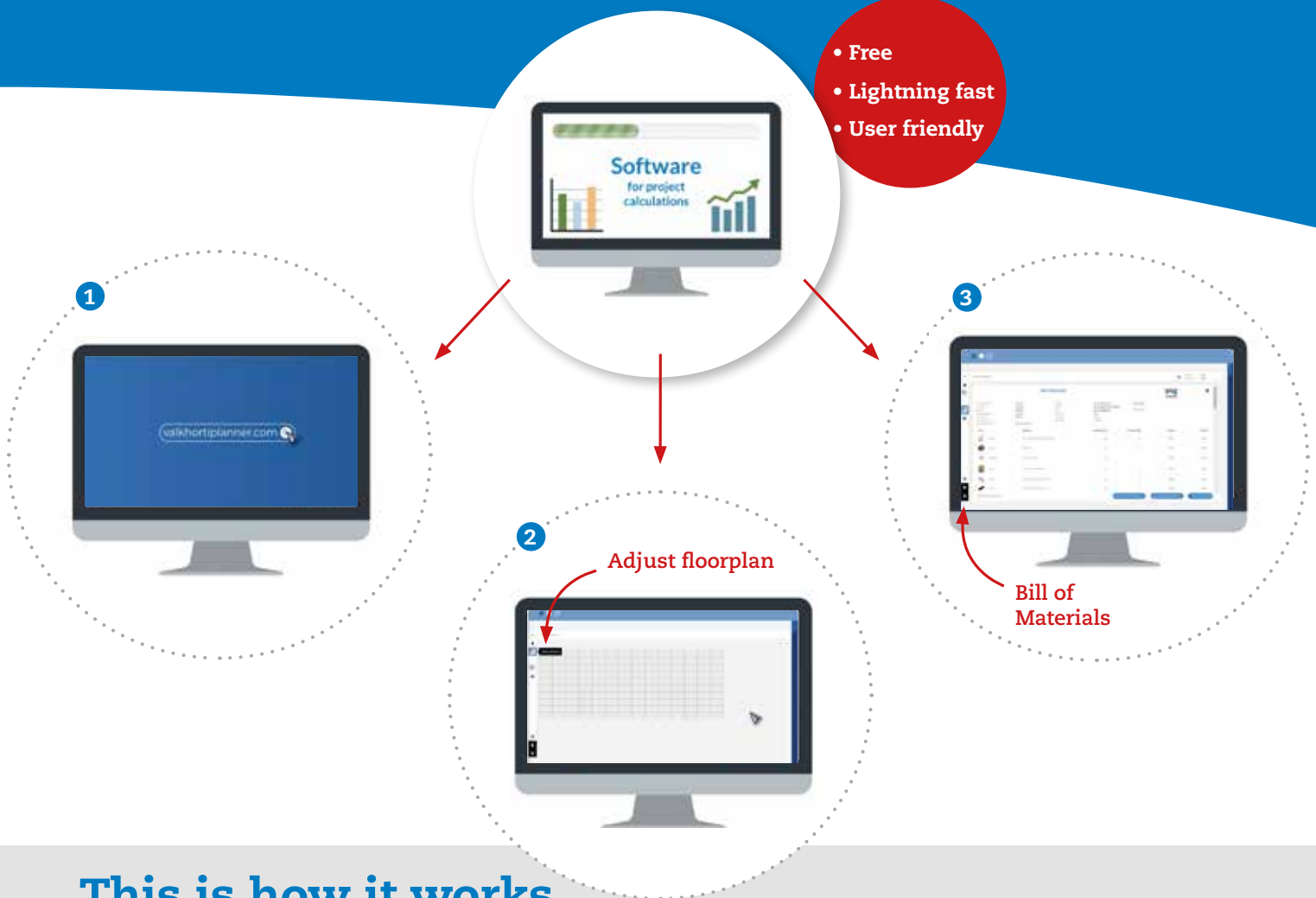
Less research and less stock?
Watch this video!

1 min 48 sec

ValkHortiPlanner

Free software for detailed project calculations

- Free
- Lightning fast
- User friendly



This is how it works

- 1 Go to www.valkhortiplanner.com, log in or create an account and start calculating
 - First enter the project details (step 1) and then the greenhouse details (step 2)
 - Select the preferred type of screen system (step 3) and drive system (step 4), and the floorplan is ready
- 2 Using 'Adjust floorplan' you can make specific changes in the floorplan:
 - For example, recesses in the greenhouse outline
 - Then draw in the screen sections
 - Finished? Click on 'Save and calculate'
- 3 Select 'Bill of Materials' for a complete overview of materials incl. offer.
 - Ready to be downloaded and sent to your customer!

Try it out now!
Do you need help? We would
be happy to guide you.
helpdesk@valkhortiplanner.com



Want to make extremely fast
project calculations?
Watch this video!

1 min 58 sec

Van der Valk Horti Systems
Zwartendijk 73
2681 LP Monster
The Netherlands
+31 (0)174 - 21 22 23
www.valkhortisystems.com